

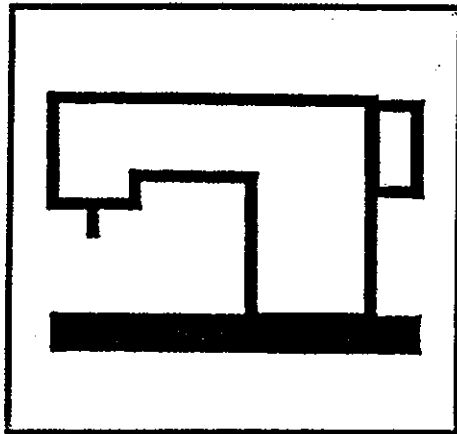
CONSEW ^{Since 1898}®

CONSOLIDATED SEWING MACHINE CORP.

└ INDUSTRIAL SEWING & CUTTING EQUIPMENT

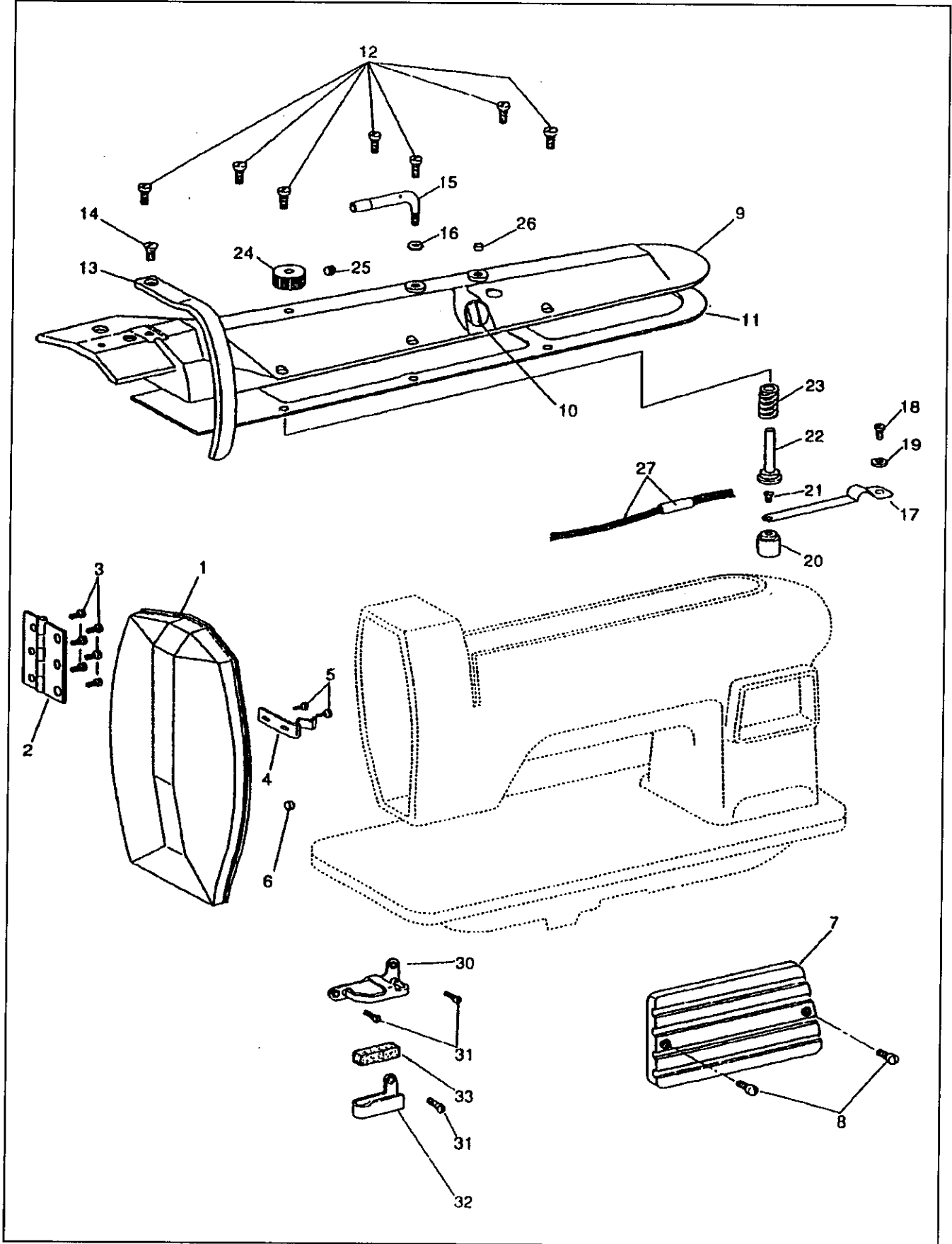
255RB-3D

339RB-3D



PARTS LIST

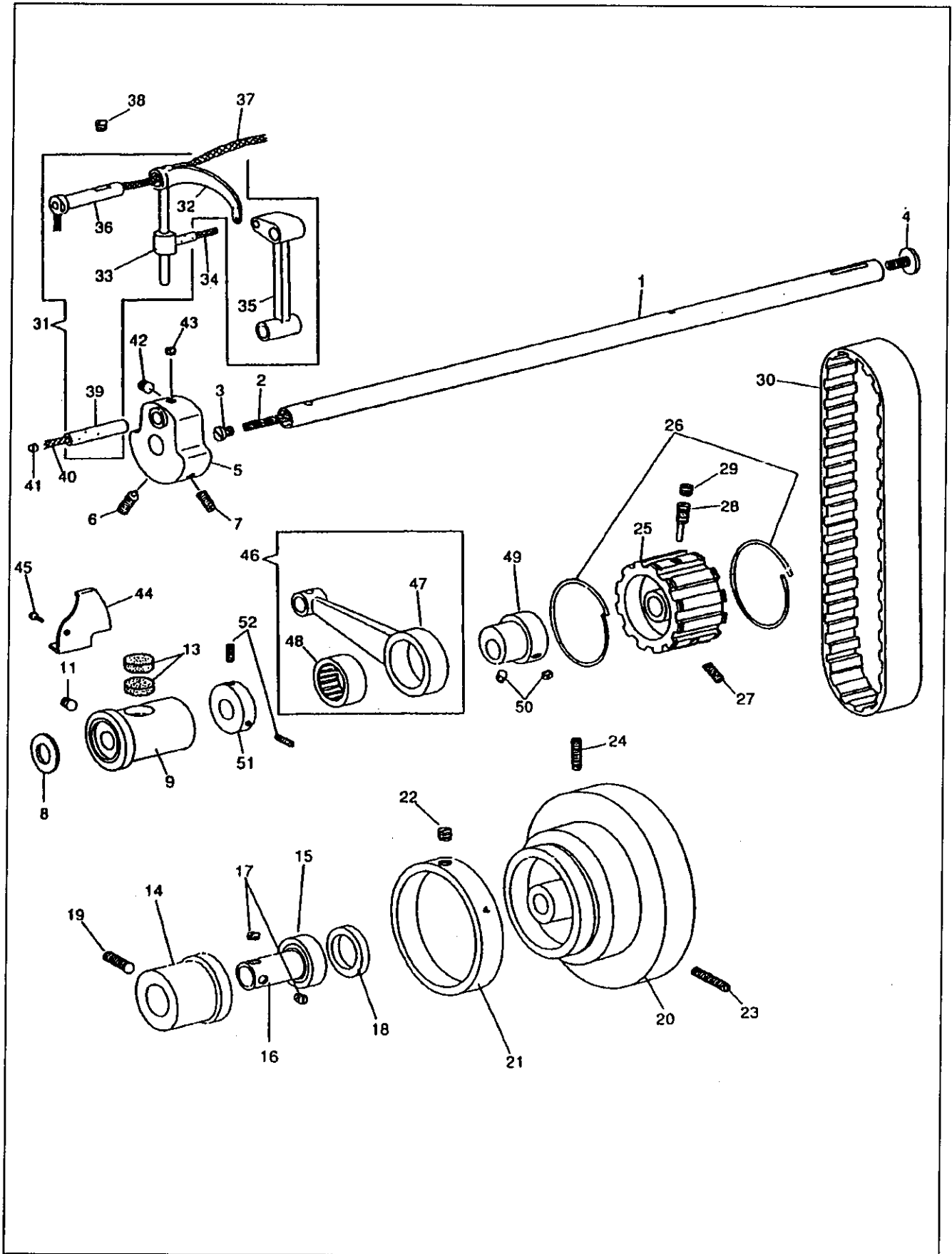
FACE PLATE, ARM TOP COVER



FACE PLATE, ARM TOP COVER

NO	PART NO	255RB-3D	339RB-3D	PARTS NAME
1	15035	1	1	FACE PLATE
2	15036	1	1	HINGE
3	15039	6	6	SCREW 1/8×44 L=3.5
4	15037	1	1	FACE PLATE SPRING
5	15039	2	2	SCREW 1/8×44 L=3.5
6	15038	1	1	RUBBER
7	13556	1	1	ARM TOP COVER
8	8040	3	3	SCREW 9/64×40 L=8.0
9	15003	1	1	ARM TOP COVER
10	11007	1	1	OIL LEVER INDICATOR
11	15004	1	1	GASKET
12	15007	7	7	SCREW 9/64×40 L=10.0
13	36708	1	1	THREAD TAKE UP COVER
14	6031-02	1	1	SCREW 11/64×40 L=9.0
15	11006	1	2	ARM TOP COVER THREAD GUIDE
16	13076-02	1	2	NUT 7/32×32
17	15086	1	1	OIL CONTROL SPRING
18				
19	11142	1	1	WASHER
20	11004	1	1	OIL REGULATOR
21	10597	1	1	SCREW 1/8×40 L=3.3
22	15058	1	1	OIL REGULATING STUD
23	15059	1	1	OIL REGULATING SPRING
24	15057	1	1	OIL REGULATING DIAL
25	8009	1	1	SET SCREW 15/64×28 L=7.5
26	15038	1		RUBBER
27	15034C	1	1	OIL TUBE AND OIL WICK COMPLETE
28				
29				
30	15054	1	1	THREAD GUIDE (UPPER)
31	10685	3	3	SCREW 3.4×36 L=6.5
32	10759-A	1	1	THREAD GUIDE (LOWER)
33	10760	1	1	FELT

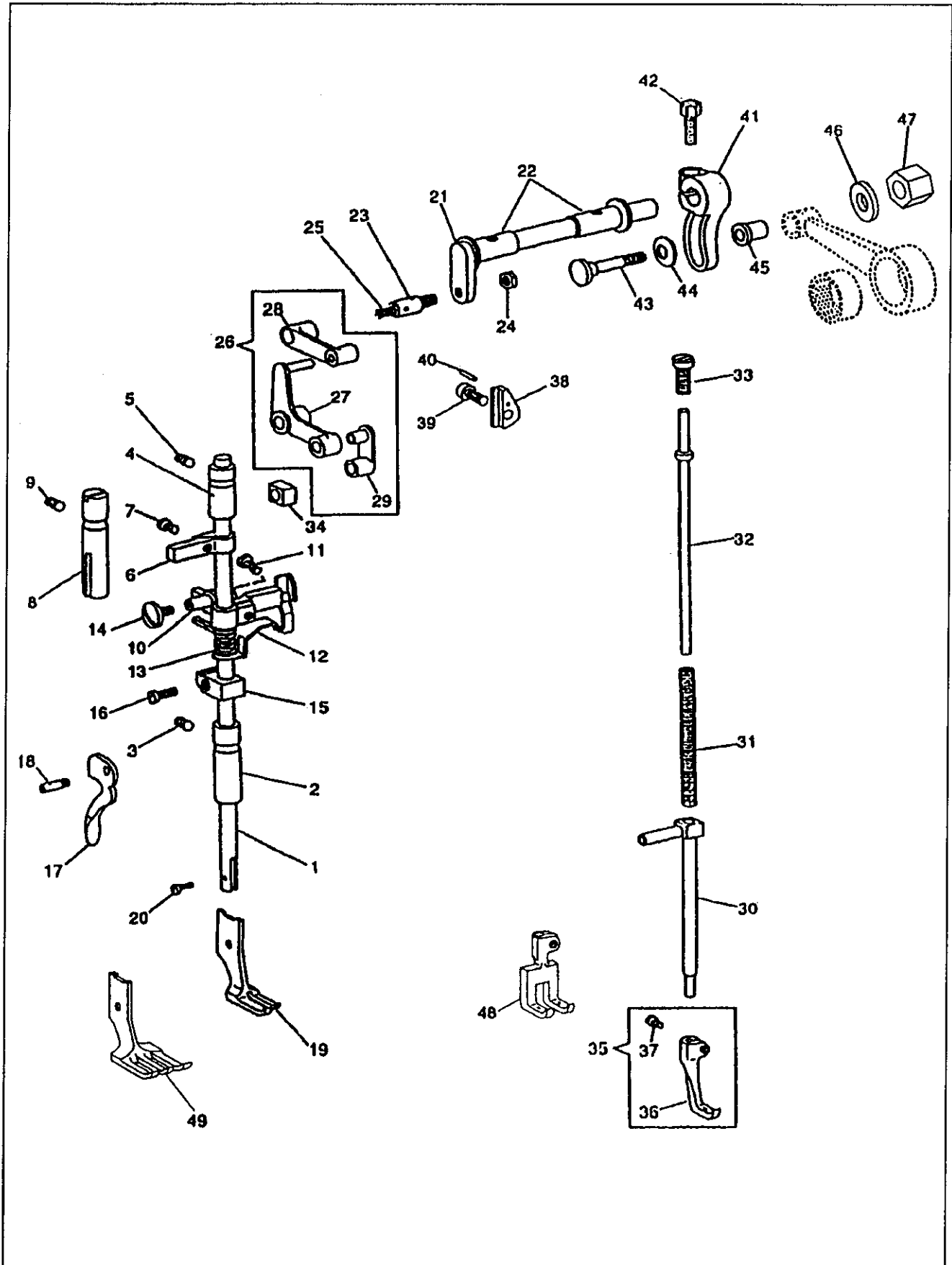
TAKE UP LEVER, ARM SHAFT, MACHINE PULLEY



TAKE UP LEVER , ARM SHAFT , MACHINE PULLEY

NO	PART NO	255RB-3D	339RB-3D	PARTS NAME
1	15209	1	1	ARM SHAFT
2	15033	1	1	OIL WICK
3	10506	1	1	OIL STOP SCREW 7.85×20 L=6.0
4	10577	1	1	PULLEY ADJUSTING SCREW 6.75×24 L=11.0
5	19414	1	1	NEEDLE BAR CRANK
6	19415	1	1	POSITION SCREW 1/4×28 L=20.0
7	19416	1	1	SET SCREW 1/4×28 L=14.0
8	10563	1	1	WASHER
9	10562	1	1	ARM SHAFT BUSHING (LEFT)
11	10524	1	1	SET SCREW 6.75×24 L=6.5
13	10725	2	2	OIL FELT
14	13074	1	1	ARM SHAFT BALL BEARING ADAPTOR
15	10567	1	1	ARM SHAFT BALL BEARING
16	13361	1	1	ARM SHAFT BALL BEARING ADAPTOR SLEEVE
17	19418	2	2	SET SCREW 1/4×28 L=4.5
18	10568	1	1	BALL BEARING RETAINING RING
19	10571	1	1	SCREW 6.75×24 L=20.0
20	10504	1	1	MACHINE PULLEY
21	10943	1	1	FEED INDICATING (W/O BELT GUARD)
22	10566	1	1	SET SCREW 1/4×32 L=5.5
23	10576	1	1	POSITION SCREW 15/64×28 L=21.0
24	10579	1	1	SET SCREW 15/64×28 L=20.0
25	10569	1	1	ARM SHAFT CONNECTING BELT PULLEY
26	10574	2	2	BELT PULLEY SPRING FLANGE
27	10571-G	1	1	SET SCREW 6.75×24 L=20.0
28	10570	1	1	POSITION SCREW 6.75×24 L=14.5
29	10524-G	1	1	POSITION SCREW SET SCREW 6.75×24 L=6.5
30	10621	1	1	ARM SHAFT CONNECTING BELT
31	15024C	1	1	THREAD TAKE UP LEVER COMPLETE
32	15024	1	1	THREAD TAKE UP LEVER
33	15026	1	1	THREAD TAKE UP LEVER DRIVING STUD
34	10728	1	1	OIL WICK
35	10528	1	1	NEEDLE BAR CONNECTING LINK
36	15013	1	1	THREAD TAKE UP LEVER HINGE STUD
37	11042	1	1	OIL WICK
38	10524	1	1	SET SCREW 6.75×24 L=6.5
39	10523	1	1	NEEDLE BAR CONNECTING LINK STUD
40	10726	1	1	OIL WICK
41	15038	1	1	RUBBER OIL STOPPER
42	19417	1	1	SCREW 1/4×28 L=6.5
43	19418	1	1	SCREW 1/4×28 L=4.5
44	10551	1	1	THREAD TAKE UP LEVER OIL GUARD
45	10650	1	1	SCREW 3.4×36 L=6.0
46	10772C	1	1	LIFTING ECCENTRIC CONNECTING COMPLETE
47	10772	1	1	LIFTING ECCENTRIC CONNECTION
48	10773	1	1	NEEDLE BEARING
49	19427	1	1	LIFTING ECCENTRIC
50	19508	2	2	SET SCREW 1/4×40 L=5.5
51	11879	1	1	LIFTING ECCENTRIC COLLAR
52	10573	2	2	SET SCREW 7/32×32 L=11.0

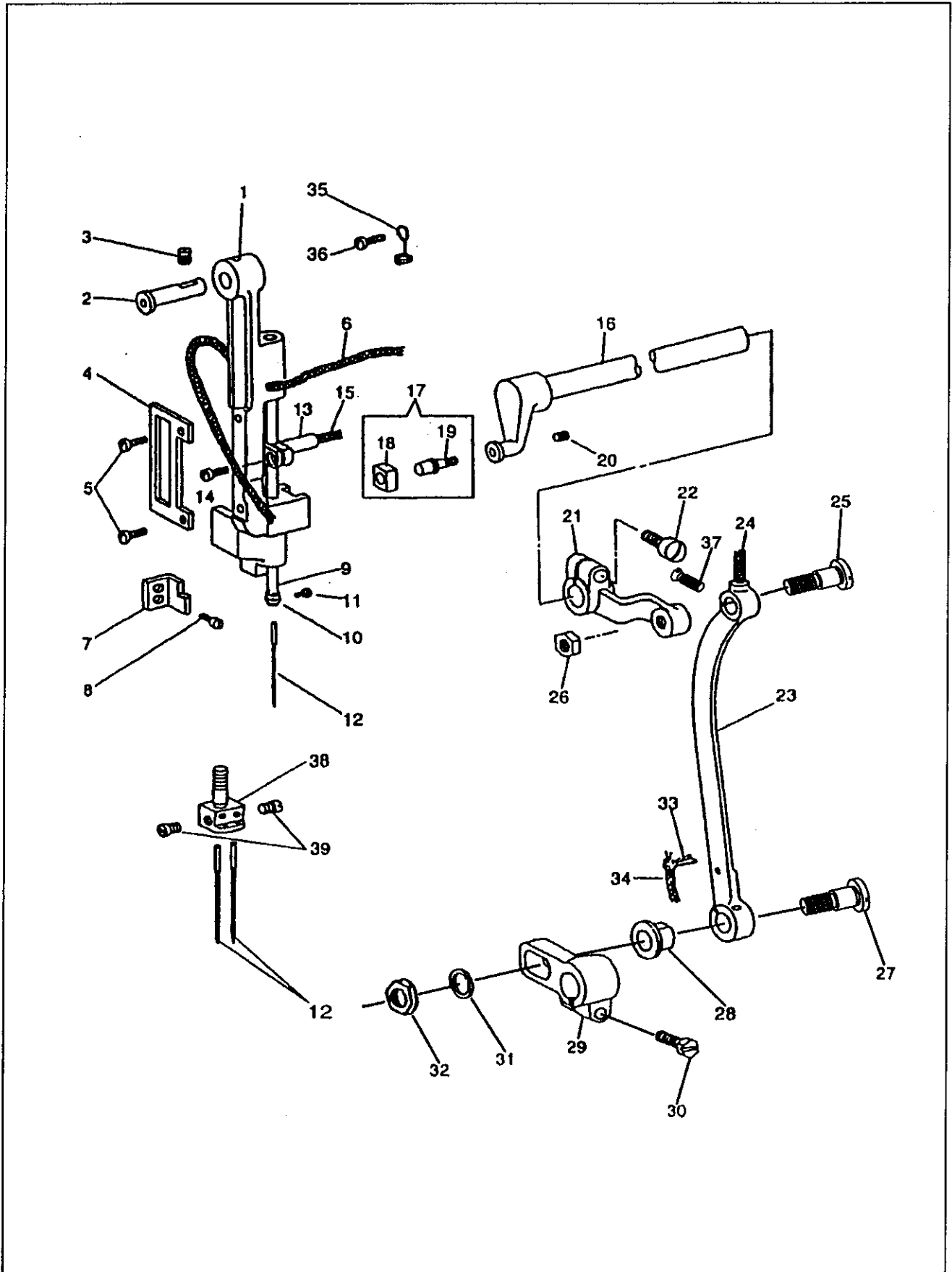
PRESSER BAR, VIBRATING PRESSER BAR



PRESSER BAR, VIBRATING PRESSER BAR

NO	PART NO	255RB-3D	339RB-3D	PARTS NAME
1	10540	1	1	PRESSER BAR
2	10539-A	1	1	PRESSER BAR BUSHING (LOWER)
3	10761	1	1	SET SCREW 6.75×24 L=11.0
4	10538	1	1	PRESSER BAR BUSHING (UPPER)
5	10761	1	1	SET SCREW 6.75×24 L=11.0
6	10541	1	1	PRESSER BAR POSITION GUIDE BRACKET
7	10662	1	1	SCREW 5/32×40 L=6.5
8	10543	1	1	PRESSER BAR POSITION GUIDE
9	10761	1	1	SET SCREW 6.75×24 L=11.0
10	18479	1	1	PRESSER BAR LIFTING BRACKET
11	19518	1	1	SCREW 11/64×40 L=14.0
12	10546-A	1	1	TENSION RELEASE SLIDE
13	10547	1	1	TENSION RELEASE SPRING
14	18480	1	1	LIFTING BELL CRANK SCREW 11/64×40 L=8.0
15	13360	1	1	PRESSER BAR SPRING BARCKET
16	13365	1	1	PINCH SCREW M4X0.7 L=9.0
17	10659	1	1	PRESSER BAR LIFTER
18	10660	1	1	HINGE SCREW 4.5×32
19	10796	1		LIFTING PRESSER FOOT
20	10664	1	1	SCREW 3.4×36 L=9.0
21	19425	1	1	LIFTING ROCK SHAFT
22	10514	2	2	LIFTING ROCK SHAFT BASHING
23	16709	1	1	SCREW 1/4×28
24	19516	1	1	NUT 1/4×28
25	10728	1	1	OIL WICK
26	10558C	1	1	LIFTING BELL CRANK COMPLETE
27	10558	1	1	LIFTING BELL CRANK
28	10557	1	1	LIFTING BELL CRANK LINK
29	10556	1	1	VIBRATING PRESSER BAR CONNECTING LINK
30	34713	1	1	VIBRATING PRESSER BAR
31	10554	1	1	VIBRATING PRESSER BAR EXTENSION SPRING
32	10553-A	1	1	VIBRATING PRESSER BAR EXTENSION
33	15060	1	1	SCREW 5/16×24 L=16.0
34	15118	1	1	VIBRATING PRESSER BAR SLIDE BLOCK
35	19411C	1		VIBRATING PRESSER FOOT COMPLETE
36	19411	1		VIBRATING PRESSER FOOT
37	17104	1	1	PINCH SCREW 11/64×40 L=6.0
38	10548-A	1	1	LIFTING BRACKET GUIDE BLOCK
39	10519	1	1	PINCH SCREW 6.75X24 L=17.5
40	15111	1	1	PIN
41	19419	1	1	LIFTING ECCENTRIC CONNECTING CRANK
42	19420	1	1	PINCH SCREW 1/4×28 L=16.0
43	10775	1	1	HINGE SCREW 7/32×32
44	10703	1	1	WASHER
45	10774	1	1	LIFTING ECCENTRIC CONNECTION COLLAR
46	H4728H8001	1	1	WASHER
47	H3100F2160	1	1	NUT 7/32×32
48	H4807F8001		1	VIBRATING PRESSER FOOT
49	H4757E8001		1	LIFTING PRESSER FOOT

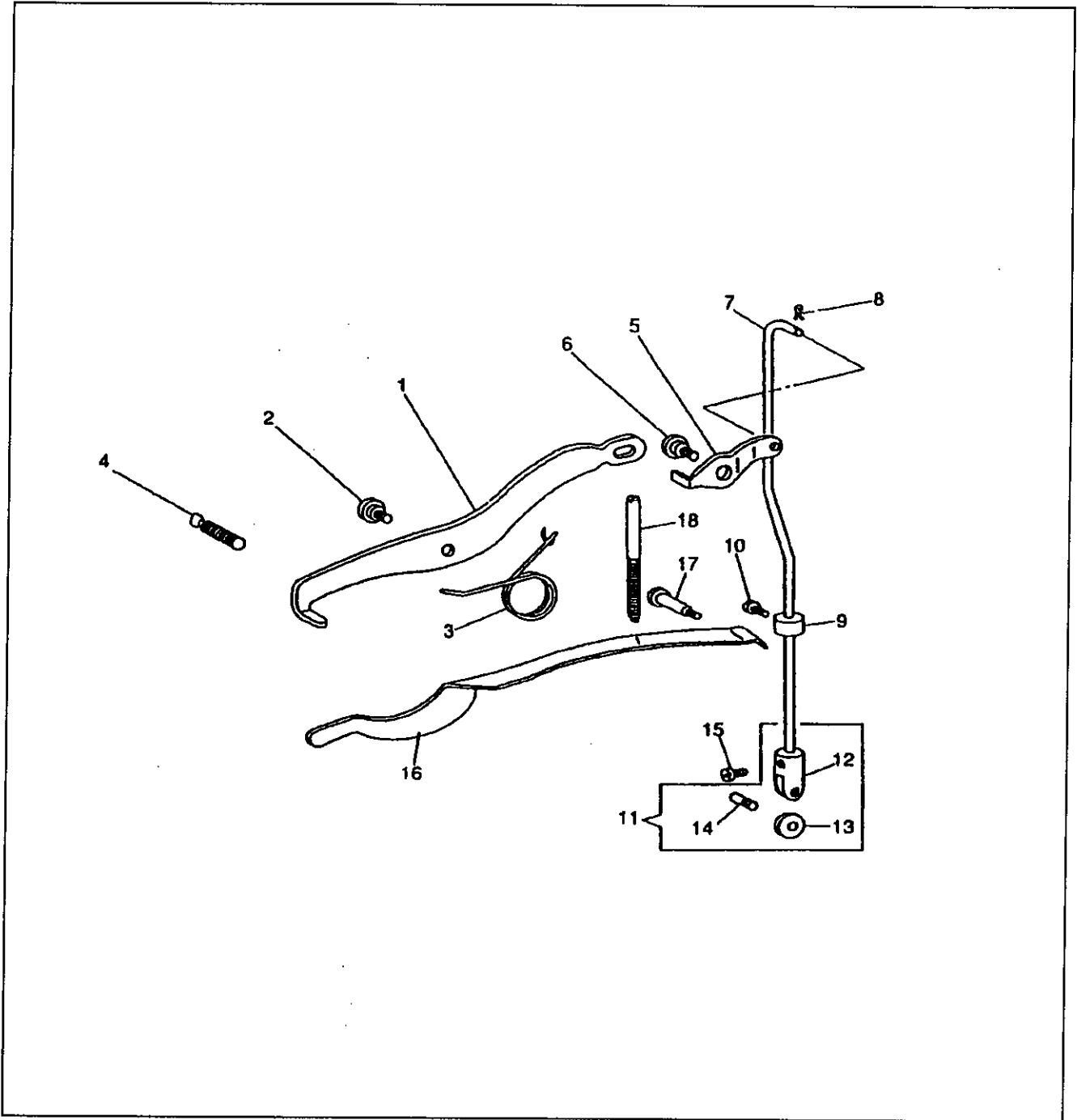
NEEDLE BAR ROCK FRAME , ROCK SHAFT CRANK CONNECTION



NEEDLE BAR ROCK FRAME , ROCK SHAFT CRANK CONNECTION

NO	PART NO	255RB-3D	339RB-3D	PARTS NAME
1	15110-A	1	1	NEEDLE BAR ROCK FRAME
2	11875	1	1	HINGE STUD
3	10525	1	1	SET SCREW 6.75×24 L=9.0
4	15117	1	1	SLIDE BLOCK PLATE
5	8100	2	2	SCREW 9/64×40 L=6.5
6	15031	1	1	OIL WICK
7	10560	1	1	NEEDLE BAR ROCK FRAME POSITION BRACKET
8	10561	1	1	LIFTING BRACKET GUIDE SCREW 11/64×32 L=6.5
9	HE205G8001	1		NEEDLE BAR
9	H4724F8001		1	NEEDLE BAR
10	15089	1		THREAD GUIDE
11	B140553	1		SCREW 1/8×40 L=4.5
12	NO122	1	2	NEEDLE
13	19426	1	1	NEEDLE BAR CONNECTING STUD
14	13365	1	1	PINCH SCREW M4×0.7 L=9.0
15	10726	1	1	OIL WICK
16	10578	1	1	NEEDLE BAR ROCK FRAME ROCK SHAFT
17	11876C	1	1	SLEDE BLOCK COMPLETE
18	11877	1	1	SLIDE BLOCK
19	11876	1	1	SLIDE BLOBK STUD
20	10581	1	1	SET SCREW 7/32×32 L=7.0
21	15016	1	1	ROCK SHAFT CRANK
22	10519	1	1	PINCH SCREW 6.75×24 L=17.5
23	HE606E8001	1	1	ROCK SHIFT CRANK CONNECTION
24	10728	1	1	OIL WICK
25	HE608E8001	1	1	SCREW 9/32×28 L=23.5
26	8105	1	1	NUT 9/32×28
27	HE609E8001	1	1	SCREW 5/16×28 L=29.5
28	HE610E8001	1	1	NEEDLE BAR ROCK FRAME REGULATING PIPE
29	15019	1	1	FEED ROCK SHAFT CRANK
30	10754	1	1	PINCH SCREW 6.75×24 L=16
31		1	1	WASHER
32		1	1	NUT 5/16×28
33	10779	1	1	CLIP
34	10778	1	1	OLK WICK
35	4221	1	1	OLK WICK ETAINER
36	15007	1	1	SCREW 9/64×40 L=10.0
37		2	2	SCREW 9/64×40 L=12.0

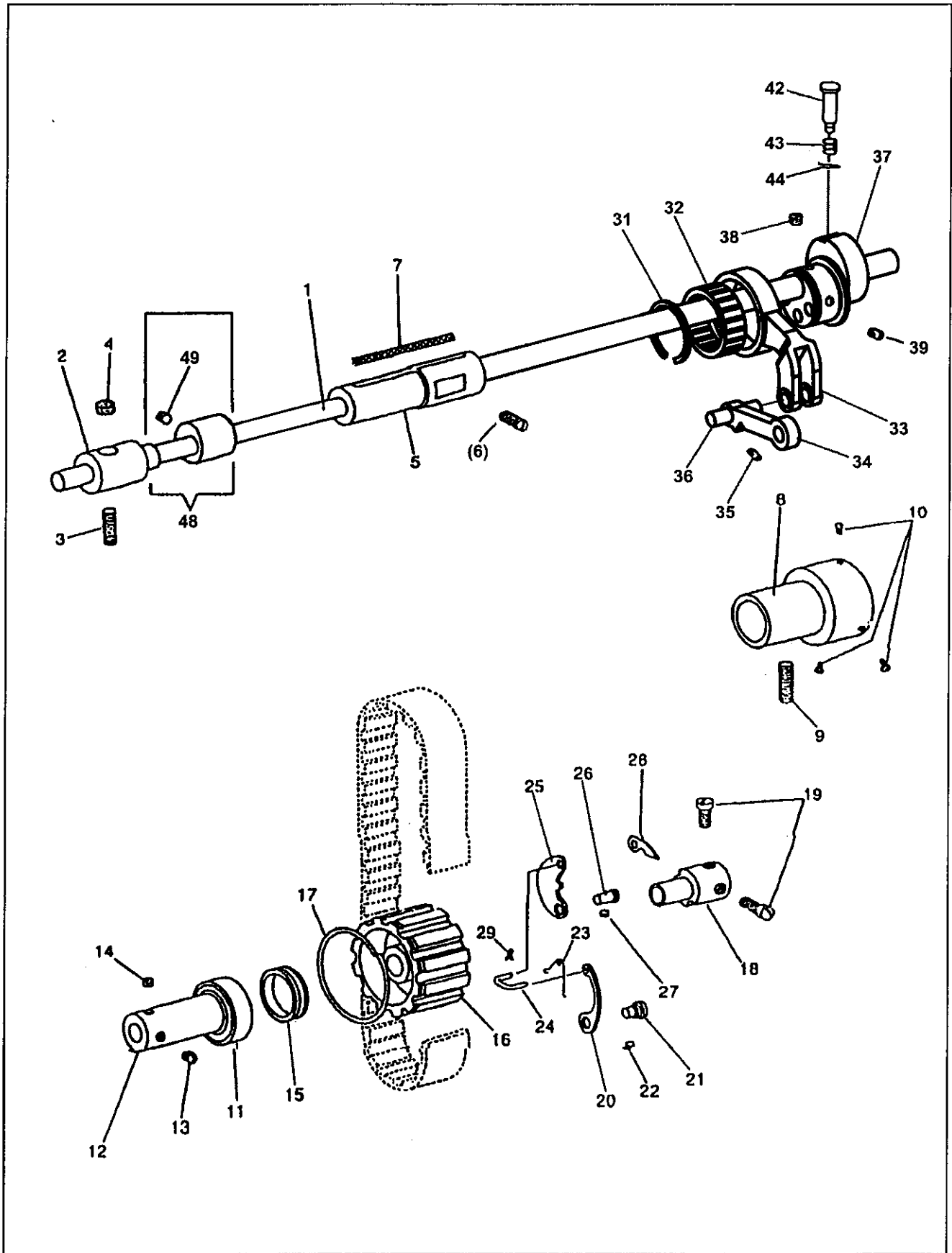
KNEE LIFTER LIFTING LEVER, PRESSER BAR SPRING



KNEE LIFTER LIFTING LEVER, PRESSER BAR SPRING

NO	PART NO	255RB-3D	339RB-3D	PARTS NAME
1	10710	1	1	KNEE LIFTER LIFTING LEVER
2	10712	1	1	HINGE SCREW 6.75X24
3	13059	1	1	SPRING
4	11154	1	1	SCREW 6.75x24
5	10711	1	1	KNEE LIFTER CONNECTING LEVER
6	10712	1	1	HINGE SCREW 6.75X24
7	15075	1	1	KNEE LIFTER CONNECTING LEVER
8	15076	1	1	LIFTING ROD
9	10714	1	1	SET RIN
10	10561	1	1	LIFTING ROD COLLAR
11	10717C	1	1	LIFTING BRACKET GUIDE SCREW 11/64x32
12	10717	1	1	L=6.5
13	10718	1	1	LIFTING ROD ROLLAR BRACKET COMPLETE
14	10719	1	1	LIFTING ROD ROLLAR BRACKET
15	10561	1	1	LIFTING ROD ROLLAR
16	10705	1	1	SCREW 3.4x36
17	10706	1	1	LIFTING BRACKET GUIDE SCREW 11/64x32
18	11156	1	1	L=6.5
				PRESSER BAR SPRING (FLAT)
				PRESSER BAR SPRING SUPPORT SCREW
				PRESSER BAR SPRING REGULATING SCREW

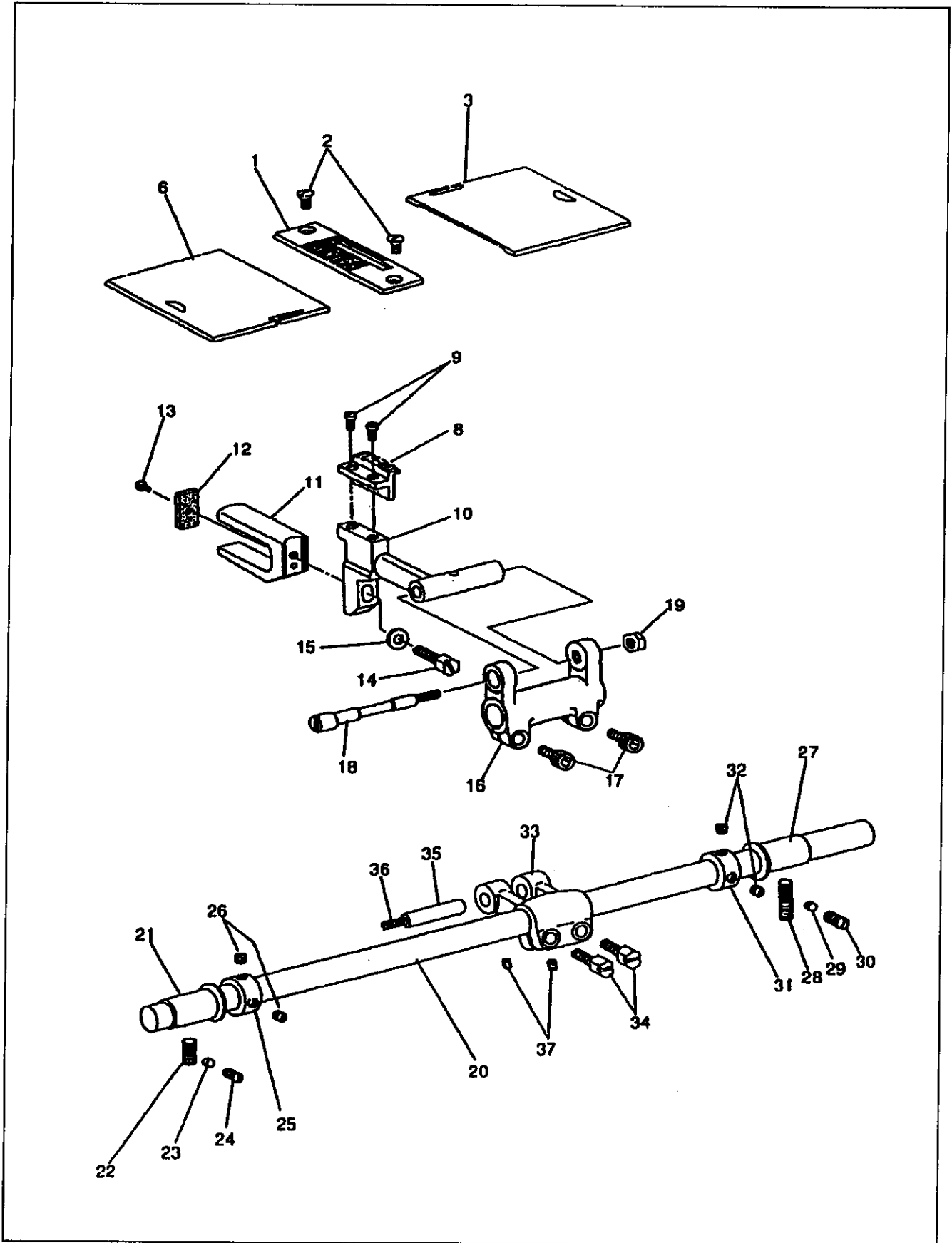
HOOK DRIVING SHAFT, SAFETY CLUTCH PULLEY, FEED DRIVING CAM



HOOK DRIVING SHAFT, SAFETY CLUTCH PULLEY, FEED DRIVING CAM

NO	PART NO	255RB-3D	339RB-3D	PARTS NAME
1	10603	1	1	HOOK DRIVING SHAFT
2	H4706H8001	1	1	HOOK DRIVING SHAFT BUSIING(FRONT)
3	10571	1	1	SET SCREW 6.75×24 L=20.0
4	11080	1	1	OILING FELT
5	H4712H8001	1	1	HOOK DRIVING SHAFT BUSIING(MIDDLE)
6	10522	2	2	SET SCREW 6.75×24 L=14.0
7	10729	1	1	OIL WICK
8	30157	1	1	HOOK DRIVING SHAFT BUSIING(BACK)
9	10571	1	1	SET SCREW 6.75×24 L=20.0
10	10609	3	3	SCREW 3.4×36 L=5.5
11	10567	1	1	BALL BEARING
12	10607	1	1	COLLAR
13	10566	1	1	SET SCREW 1/4×32 L=5.5
14	10658	1	1	POSITION SCREW 1/4×32 L=5.5
15	10608	1	1	BALL BEARING RETAINING WASHER
16	10610-01	1	1	SAFETY CLUTCH PULLEY
17	10574	1	1	PULLEY SPRING FLANGE
18	10611	1	1	SAFETY CLUTCH COLLAR
19	10612	2	2	SCREW 1/4×32 L=10.5
20	10615	1	1	SAFETY CLUTCH LOCKING LEVER SPRING
21	10614	1	1	HINGE PIN
22	10581	1	1	SCREW 7/32×32 L=7.0
23	10619	1	1	SAFE CLUTCH THROW INLATCH SPRING
24	10618	1	1	SAFE CLUTCH RATCHET CONNECTING LIN
25	10616	1	1	SAFE CLUTCH LOCKING LEVER
26	10613	1	1	HINGE STUD
27	10581	1	1	SCREW 7/32×32 L=7.0
28	10617	1	1	SAFE CLUTCH RATCHET
29	10620	1	1	SAFE CLUTCH THROW INLATCH PIN
30				
31	10723	1	1	C-TYPE STOP RING
32	10722	1	1	BEARING
33	34007	1	1	FEED CONNECTING ROD
34	34010	1	1	LINK
35	11953	1	1	SCREW 7/32×32 L=5.5
36	34011	1	1	SHAFT
37	34009	1	1	FEED ECCENTRIC
38	14114	1	1	SCREW 1/4×32 L=6.5
39	14116	1	1	SCREW 1/4×32 L=9.5
40				
41				
42	34008	1	1	FEED REGULATING STUD
43	10673	1	1	SPRING
44	10674	1	1	PIN
45				
46				
47				
48	10637	1	1	FEED LIFTING CAM COMPLETE
49	10658	1	1	SET SCREW 1/4×32 L=5.5

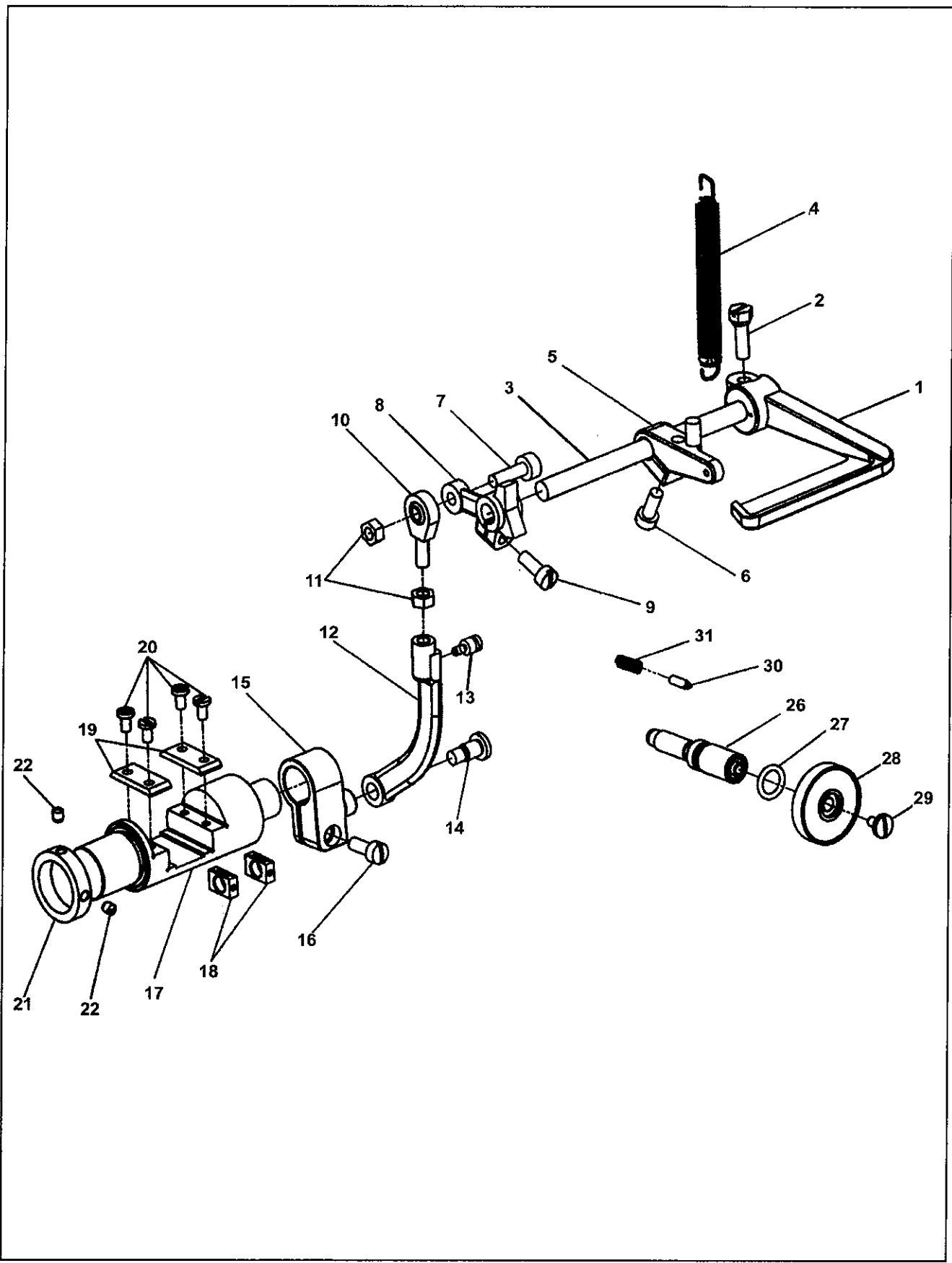
THROAT PLATE, FEED-BAR, FEED ROCK SHAFT



THROAT PLATE,FEED BAR,FEED ROCK SHAFT

NO	PART NO	255RB-3D	339RB-3D	PARTS NAME
1	H5014B8001	1		THROAT PLATE
1	H4917B8001		1	THROAT PLATE
2	6031-01	2	2	SCREW 11/64×40 L=9.0
3	15056	1		BED SLIDE(RIGHT)
3	H4733B8001		1	BED SLIDE(RIGHT)
4	10668	1	1	SPRING
5	10667	1	1	PIN
6	H4812B8001	1		BED SLIDE(LEFT)
6	H4732B8001		1	BED SLIDE(LEFT)
8	H4807H8001	1		FEED DOG
8	H4944H8001		1	FEED DOG
9	10601	2	2	SCREW 1/8×40 L=7.0
10	10594	1		FEED BAR
10	H4942H8001		1	FEED BAR
11	10595	1	1	FEED LIFTING CAM FORK
12	10596	1	1	OILING FELT
13	10597	1	1	SCREW 1/8×40 L=3.3
14	70129	1	1	SCREW 7/32×32 L=15.0
15	10599	1	1	WASHER
16	16704	1		FEED DRIVING ROCK FRAME
16	HH704H8001		1	FEED DRIVING ROCK FRAME
17	18065	2	2	PINCH SCREW M5×0.8 L=14.0
18	16705	1		FEED BAR HINGE PIN
18	H32243G205		1	FEED BAR HINGE PIN
19	16706	1	1	NUT 1/4×28
20	11888	1	1	FEED ROCK SHAFT
21	10588	1	1	BUSHING(FRONT)
22	10522	1	1	SCREW 6.75×24 L=14.0
23	11068	1	1	LINER
24	10761	1	1	SET SCREW 6.75×24 L=11.0
25	10593	1	1	COLLER(FRONT)
26	10764	2	2	SET SCREW 6.75×24 L=4.5
27	10763	1	1	BUSHING(BACK)
28	10571	1	1	SCREW 6.75×24 L=20.0
29	11068	1	1	LINER
30	10525	1	1	SCREW 6.75×24 L=9.0
31	10593	1	1	COLLER(BACK)
32	10764	2	2	SET SCREW 6.75×24 L=4.5
33	16708	1	1	FEED ROCK SHAFT CRANK
34	19420	2	2	PINCH SCREW 1/4×28 L=16.0
35	11962	1	1	FEED ROCK SHAFT CRANK STUD
36	11954	1	1	OIL WICK
37	11953	2	2	SET SCREW 7/32×32 L=5.5

FEED REVERSING LEVER, FEED DRIVING ECCENTRIC CONNECTION



From the library of: Diamond Needle Corp

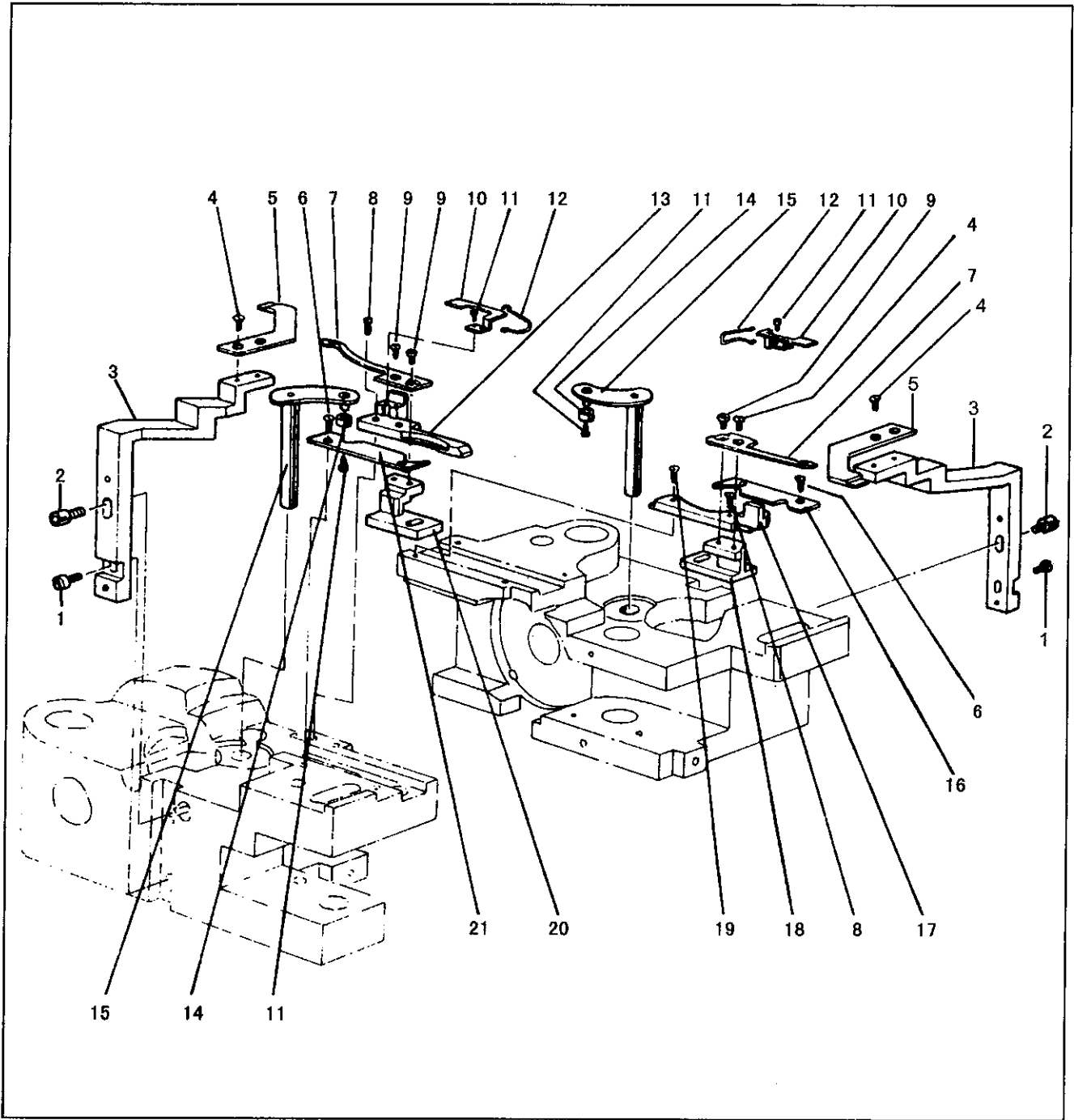
FEED REVERSING LEVER,FEED DRIVING ECCENTRIC CONNECTION

NO	PART NO	255RB-3D	339RB-3D	PARTS NAME
1	34031	1	1	FEED REVERSING LEVER
2	10845	1	1	SCREW 15/64×28 L=18.0
3	15208	1	1	FEED REVERSING LEVER SHIFT
4	34019	1	1	SPRING
5	30618	1	1	ARM
6	1365	1	1	PINCH SCREW 15/64×28 L=16.0
7	28152	1	1	SHAFT
8	34027	1	1	FEED REGULATOR CAM
9	10519	1	1	SCREW 6.75×24 L=17.5
10	11409	1	1	ROUNDNESS CONNECTER
11	11412	2	2	NUT
12	34033	1	1	LINK
13	34035	1	1	SET SCREW 9/64×40 L=15.0
14	34048	1	1	SCREW 5/16×24 L=16.0
15	34014	1	1	REVERSE SEWING CRANK
16	1365	1	1	PINCH SCREW 15/64×28 L=16.0
17	34005	1	1	REVERSE BLOCK
18	34012	2	2	SQUARE BLOCK
19	34013	2	2	GUIDE PLATE
20	15055	4	4	SCREW 11/64×40 L=8.0
21	34006	1	1	COLLAR
22	11953	2	2	SET SCREW 7/32×32 L=5.5
26	34028	1	1	SCREW BAR
27	18420	1	1	O-RING
28	34029	1	1	DIAL
29	18417	1	1	SCREW 11/64×32 L=8.0
30	18418	1	1	PIN
31	15729	1	1	SRRING

HOOK SADDLE, HOOK

NO	PART NO	255RB-3D	339RB-3D	PARTS NAME
1	HH656J7101	1	1	H00K SADDLE(RIGHT)
2	HH606J8001	1	1	PACKING
3	HH607J8001	1	1	OIL PRSERVIOR(RIGHT)
4	15007	7	14	SCREW 9/64×40 L=10.0
5	H4909I8001	1	2	BUSHING(UPPER)
6	11176	1	2	SCREW 7/32×32 L=5.5
8	H4705I8001	1	2	HOOK DRIVING PINION(SPIRAL)
9	HA105D0662	1	2	POSITION SCREW 1/4×32 L=5.5
10	H3205H0654	1	2	SET SCREW 1/4×32 L=4.5
11	10644	1	2	WASHER
12	H4911I8001	1	2	BUSHING(LOWER)
13	11176	1	2	SCREW 7/32×32 L=5.5
14	H3313I1104	1	2	BOBBIN CASE OPENER LEVER
14	15049	1	2	BOBBIN CASE OPENER LEVER
15	10651	1	2	OPENER LEVER DRIVING SCREW STUD
16	H005008050	1	2	SPRING WASHER
17	10652	1	2	NUT 11/64×40
19	15050	1	2	OPERER LEVER HINGE STUD
20	10727	1	2	FELT
21	10573	1	2	SET SCREW 7/32×32 L=11.0
22	H3313I1204	1	2	BOBBIN CASE LEVER LINK
22	15051	1	2	BOBBIN CASE LEVER LINK
23	15040	1	2	HOOK COMPLETE
23	15040	1	2	HOOK COMPLETE
24	H4706I8001	1	2	HOOK DRIVING GFAR
25	H4707I8001	1	2	POSITION SCREW 1/4×40 L=4
26	HA307C0662	2	4	SET SCREW 1/4×40 L=6.5
35	H4908I7101	1	2	BOBBIN
36	15052	1	2	OIL GAUGE
38	H3204I0659	1	2	OIL REGULATING SCREW
39	H3204I0658	1	2	SET SCREW 1/8×40 L=8.0
41	H3305I0066	1	2	BOBBIN CASE LEVER
41	H3305I0066	1	2	BOBBIN CASE LEVER
42	10677	1	2	WASHER
43	10650	1	2	SCREW 3.4×36 L=6.0
44	11145	1	2	PINCH SLEEVE (UPPER)
45	11146	1	2	PINCH SLEEVE (UPPER)
46	11144	1	2	PINCH SLEEVE SCREW 7/32×32 L=32.0
47	10647	1	2	WASHER
48	10646	1	2	SCREW 6.75×24 L=28.0
49			2	SPRING
51	HH705J8001		1	H00K SADDLE(LEFT)
52	HH707J8001		1	PACKING
53	HH706J8001		1	OIL PRSERVIOR(RIGHT)

KNIFE MECHANISM-(1)

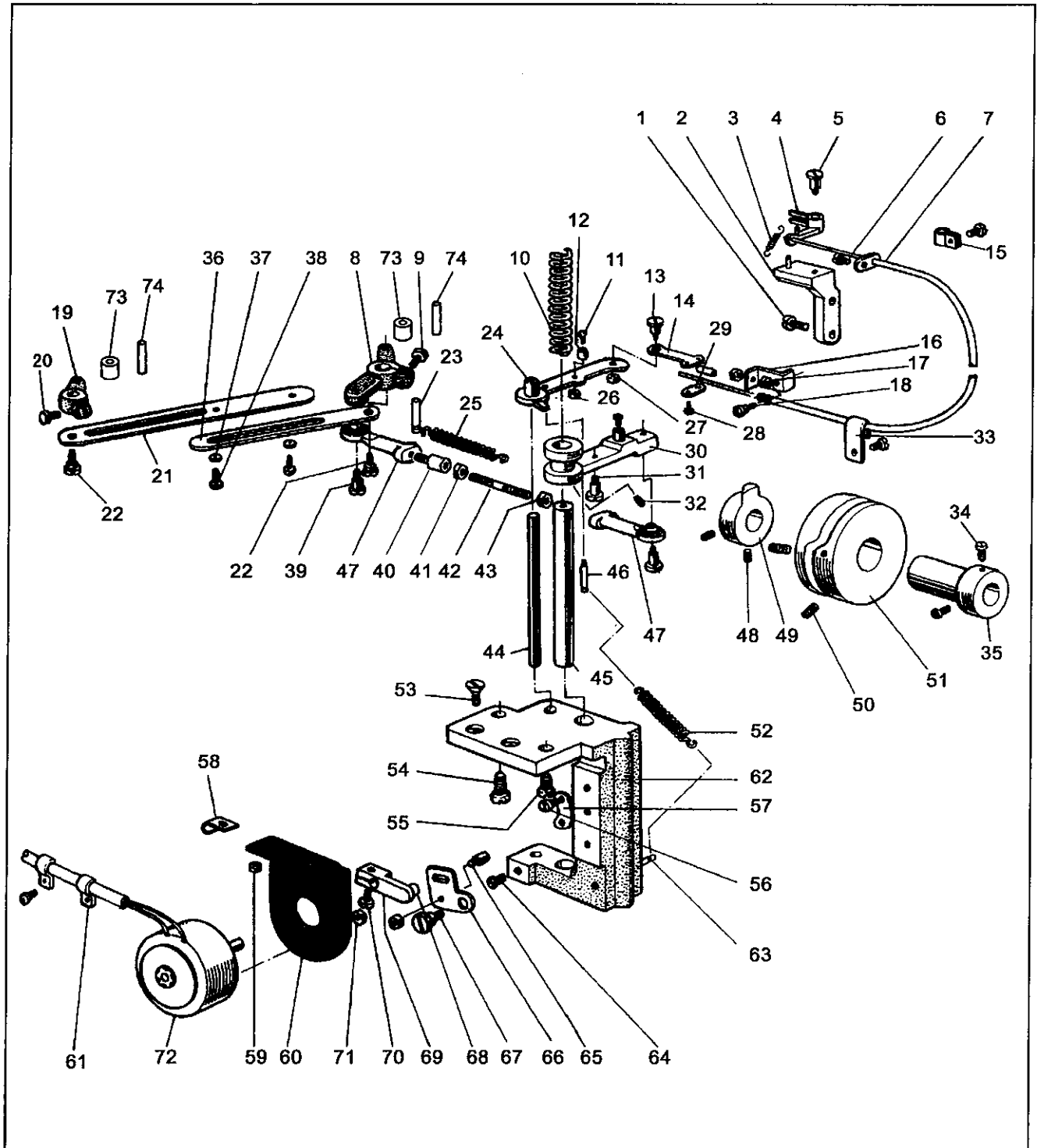


From the library of: Diamond Needle Corp

KNIFE MECHANISM (I)

NO	PART NO	255RB-3D	339RB-3D	PARTS NAME
1	H4905J8001	1	2	SCREW
2	H4906J8001	1	2	Bolt 11/64×40 L=12
3	H4907J8001	1	2	TRIMMING KNIFE HOLDER
4	H4908J8001	3	6	SCREW 9/64×40 L=4
5	H4909J8001	1	2	FIXED BLADE
6	H4914B8001	2	4	SCREW 9/64×40 L=4
7	H4911J8001	1	2	MOVED KNIFE
8	H4912J8001	1	2	SCREW 1/8×44 L=9.2
9	H4913J8001	1	2	SCREW 9/64×40 L=4.5
10	H4914J8001	1	2	SPRING PLATE
11	H4915J8001	3	6	SCREW 3/32×56 L=3.8
12	H4916J8001	1	2	REVERSING SPRING
13	H4919J8001		1	GUIDE
14	H4920J8001	1	2	ROLLER
15	HH605K8001	1	2	LEVER
16	H4922J8001	1	1	COVER
17	H4923J8001	1	1	GUIDER
18	H4924J8001	1	1	KNIFE PAD(RIGHT)
19	H4925J8001	1	1	SCREW 9/64×40 L=9.5
20	H4917J8001		1	KNIFE PAD(LEFT)
21	H4927J8001		1	COVER

KNIFE MECHANISM (II)



From the library of: Diamond Needle Corp

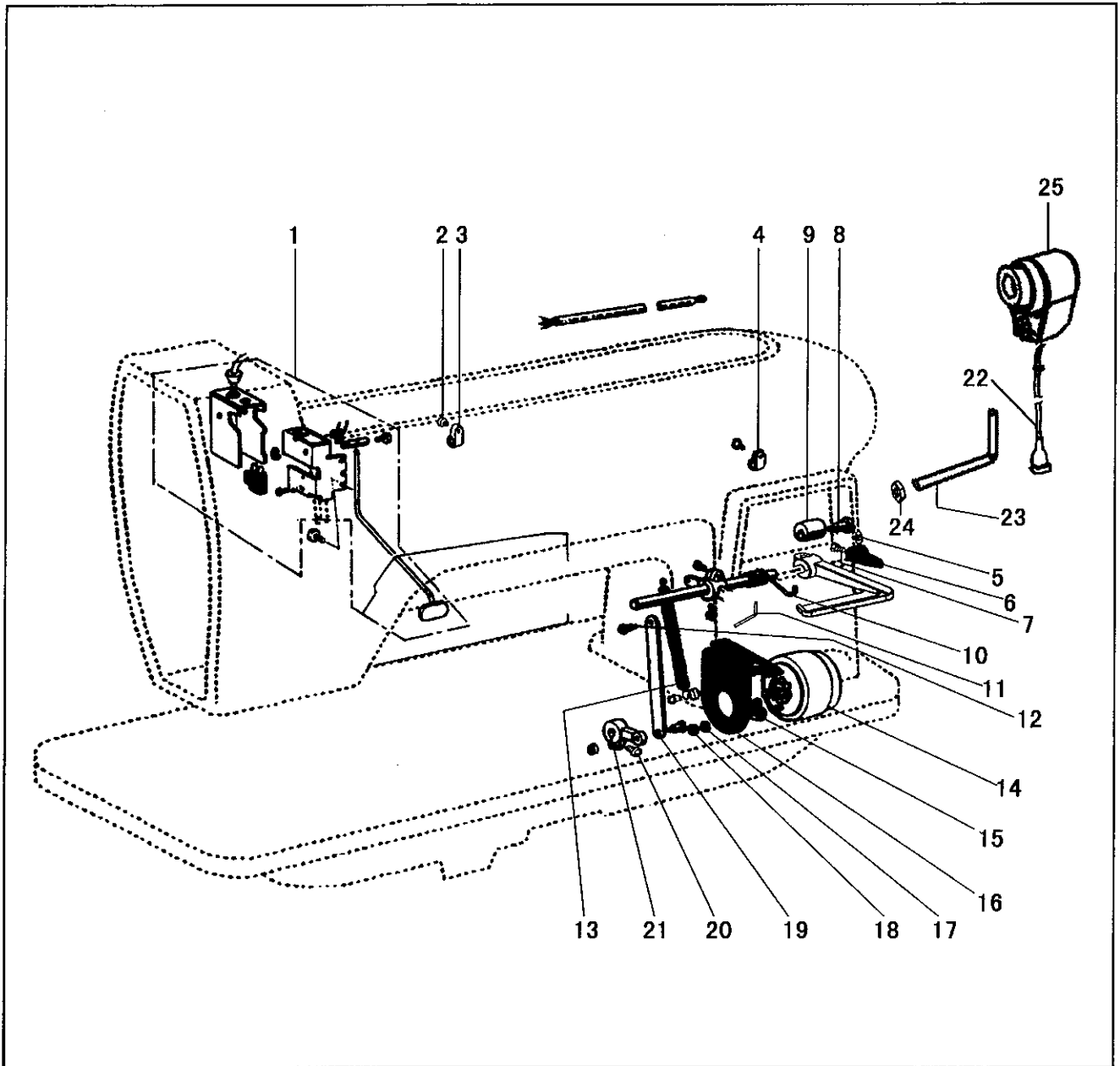
KNIFE MECHANISM - (II)

NO	PART NO	255RB-3D	339RB-3D	PARTS NAME
1	HA104G0654	2	2	SCREW SM11/64×40 L=8
2	H4205C0661	1	1	THREAD RELEADING BRACKET
3	H4205C0664	1	1	SPRING
4	H4205C0662	1	1	THREAD RELEADING PLATE
5	H4205C0663	1	1	SCREW SM11/64×40 L=5
6	HA300B2170	4	4	SCREW SM11/64×40 L=8
7	H4923K7101	1	1	FLEXIBLE WIRE COMPLETE
8	H4912K8001	1	1	ARM
9	H4913K8001	1	1	BOLT SM15/64×28 L=12.5
10	H4945K8001	1	1	SPRING
11	H4950K8001	1	1	SCREW SM11/64×40 L=3.6
12	H4949K8001	1	1	ROLLER
13	H4952K8001	1	1	SCREW SM3/16×28 L=5
14	H4953K8001	1	1	MOUNTING PLATE
15	HA700Q0030	1	1	NYLON CLIP
16	H4925K8001	1	1	MOUNTING PLATE
17	H003002050	2	2	NUT M5
18	HA300C2030	1	1	SCREW SM11/64×40 L=7
19	H4908K8001		1	ARM
20	H4907K8001		1	BOLT SM15/64×28L=12.5
21	H4906K8001		1	LINK
22	H4905K8001	2	2	SCREW M5 L=7.5
23	HA100H2080	1	1	PIN TYPE
24	H4946K7101	1	1	THREAD RELEASING LEVER
25	H4943K8001	1	1	SPRING
26	H4951K8001	1	1	NUT SM11/64×40
27	H4954K8001	1	1	NUT SM3/16×28
28	H4956K8001	2	2	SCREW SM1/8×44 L=7
29	H4955K8001	1	1	BUSHING
30	H4957K7101	1	1	VIBRATING CRANK
31	H4944K8001	1	1	SCREW SM11/64×40 L=5.5
32	H431050050	2	2	SCREW M5 L=5
33	HA708P0668	1	1	NYLON CLIP
34	HA113F0684	2	2	SCREW SM15/64×28 L=8.5
35	H4931K8001	1	1	BUSHING
36	H4909K8001		1	LINK
37	H005001050		1	WASHER 5
38	H4911K8001		2	BOLT
39	H4936K8001	2	2	SCREW M5 L=8.5
40	H4987K8001	1	1	BOLT
41	H4940K8001	1	1	NUT (LEFT) M5
42	H4939K8001	1	1	BOLT
43	H003002050	1	1	NUT (RIGHT) M5
44	H4964K8001	1	1	SHAFT
45	H4963K8001	1	1	SHAFT
46	H4985K8001	1	1	SCREW SM11/64×40 L = 4
47	H3405D0663	2	2	BALL JOINT (RIGHT)
48	H3205G1114	4	4	SCREW M4 L = 4
49	H4934K8001	1	1	CAM
50	HA710E0692	2	2	SCREW SM1/4×40 L = 9.5
51	H4932K8001	1	1	CAM
52	H4986K8001	1	1	SPRING
53	H411050160	2	2	SCREW M5 L = 16
54	H2012N0652	1	1	SCREW SM1/4×24 L = 16
55	H4983K8001	1	1	SCREW SM1/4×24 L = 13
56	H4967K8001	3	3	SCREW SM11/64×40 L = 7

KNIFE MECHANISM (II)

NO	PART NO	255RB-3D	339RB-3D	PARTS NAME
57	H4966K8001	1	1	STOPPER
58	H4981K8001	1	1	HOLDER
59	H003008050	2	2	NUT M5
60	H4977K8001	1	1	MOUNTING PLATE
61	H4980K8001	2	2	HOLDER
62	H4965K8001	1	1	SET PLATE
63	H3700E2080	1	1	PIN TYPE
64	H4969K8001	1	1	SCREW SM11/64×40 L = 8.5
65	H4970K8001	1	1	SCREW SM11/64×40 L = 6
66	H4971K8001	1	1	LEVER
67	H4972K8001	1	1	SCREW SM11/64×40 L = 6.8
68	H4973K8001	1	1	PIN
69	H4974K8001	1	1	ARM
70	HA111G0683	1	1	SCREW SM11/64×40 L = 12
71	HA7111N304	1	1	NUT SM11/64×40
72	H4979K8001	1	1	SOLENOID COMPLETE

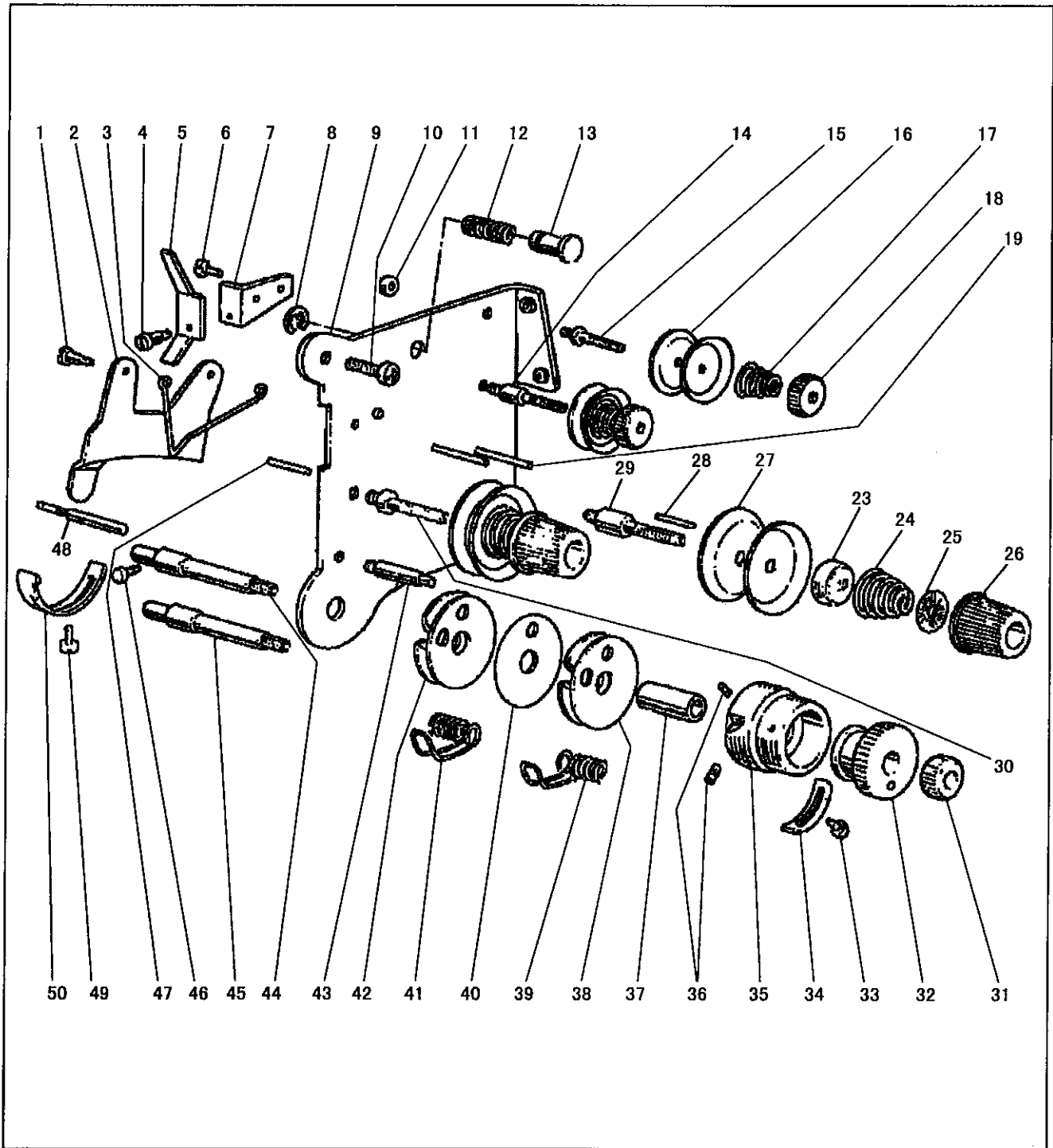
TOUCH-BACK & DETECTOR MECHANISM



TOUCH BACK & DETECTOR MECHANISM

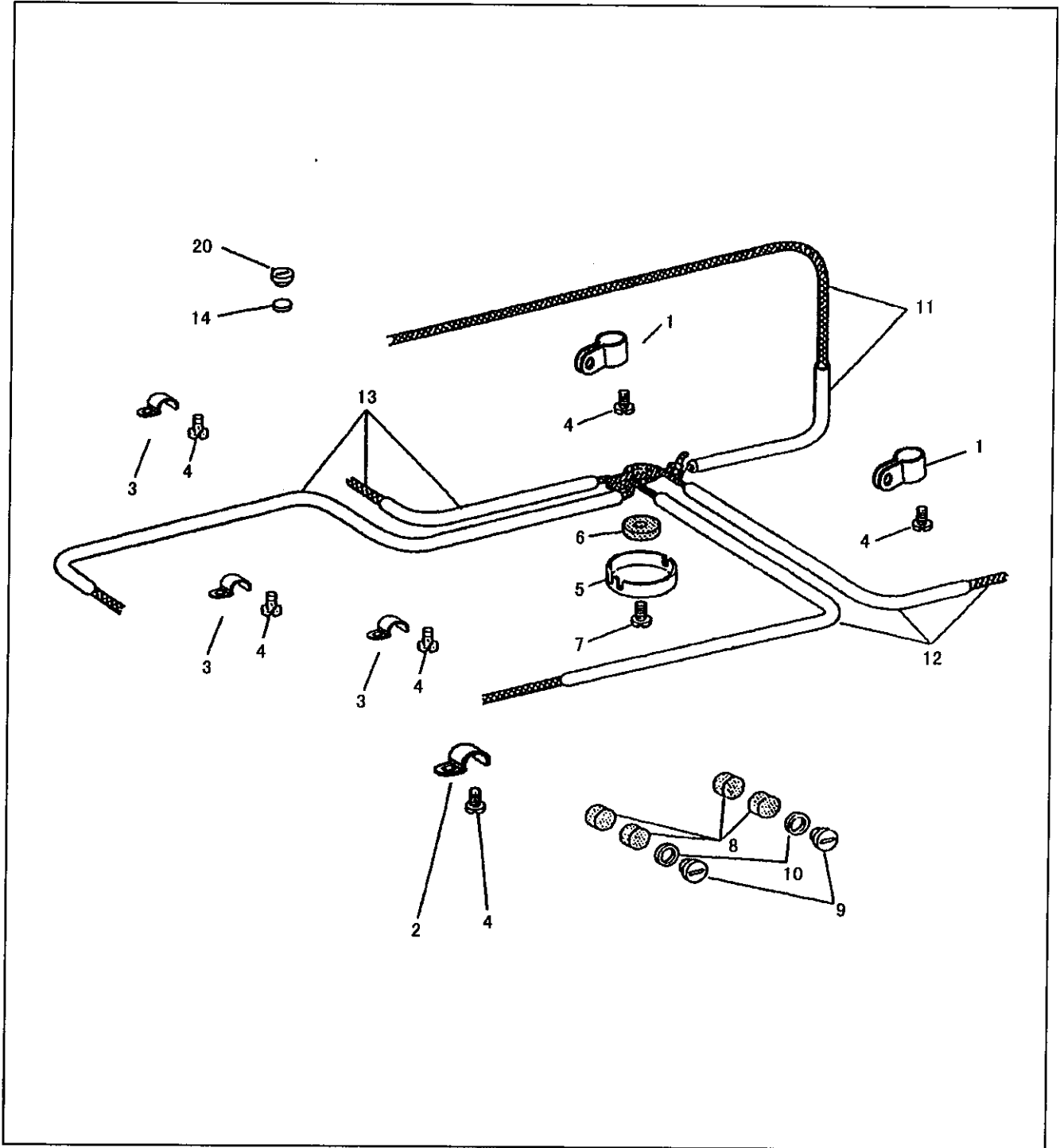
NO	PART NO	255RB-3D	339RB-3D	PARTS NAME
1	H4905L7101	1	1	TOUTH SWITCH COMPLETE
2	H4918L8001	1	1	SCREW
3	HA700Q0030	1	1	HOLDER
4	H4922L8001	1	1	HOLDER
5	HA3411D308	1	1	SCREW SM15/64×28 L = 7
6	HH606L8001	1	1	LEVER
7	HA113F0684	1	1	SCREW SM15/64×28 L = 7.5
8	H3100G2170	1	1	SCREW SM15/64×28 L = 6
9	HH604L8001	1	1	RUBBER RING
10	H4939L8001	1	1	SPRING
11	H4940L8001	1	1	NUT
12	H4941L8001	1	1	SCREW SM15/64×28 L = 14
13	H4942L8001	1	1	NUT
14	H4943L8001	1	1	SOLENOID (COMPLETE)
15	H102080120	1	1	BLOT M8 L = 12
16	H4945L8001	1	1	SET PLATE
17	H005008060	1	1	SPRING WASHER 6
18	H003002060	1	1	NUT M6
19	H4948L8001	1	1	LINK
20	H4949L8001	1	1	BLOT SM15/64×28 L = 13
21	HH605L8001	1	1	ARM
22	H4952L7101	1	1	SCREW SM11/64×40 L = 8
23	H2600K0020	1	1	SCREW
24	H2600K0030	1	1	NUT M6
25		1	1	SYNCHRONIZER

TENSION



TENSION

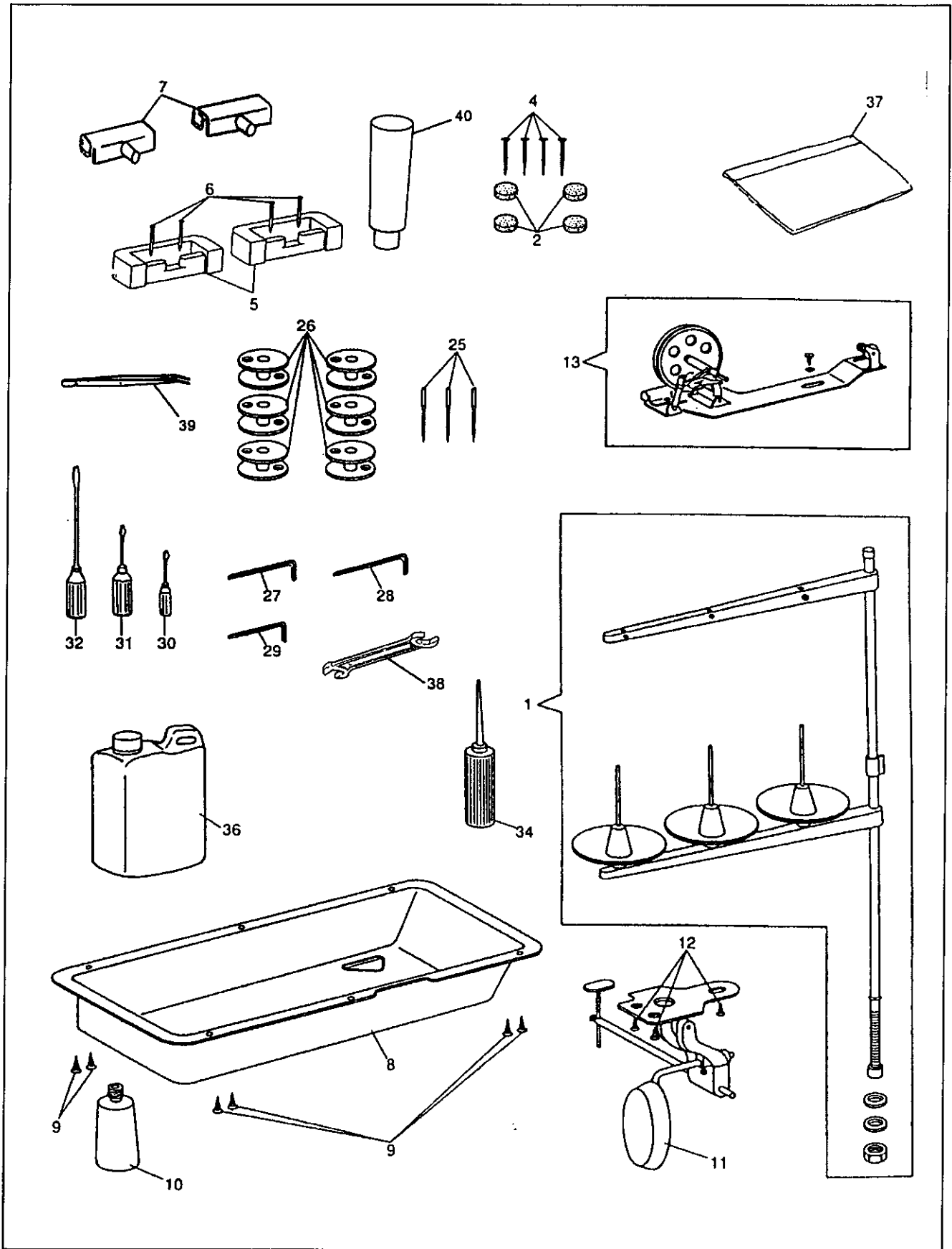
NO	PART NO	255RB-3D	339RB-3D	PARTS NAME
1	H3221B6811	2	2	SCREW SM9/64×40 L = 3
2	H3221B3142	1	1	TENSION RELEASING PLATE
3	H3221B6812	1	1	TENSION RELEASING SPRING
4	H4705C8001	1	1	SCREW SM9/64×40 L = 4.2
5	H4706C8001	1	1	LEVER
6	HA7311C306	1	1	SCREW SM9/64×40 L = 4.5
7	H4707C8001	1	1	MOUNTING PLATE
8	H007013050	1	1	STOP RING 5
9	H3221B6820	1	1	MOUNTING PLATE
10	HA300C2030	2	2	SCREW
11	H3221B6810	1	1	NUT SM11/64×40
12	H4708C8001	1	1	SPRING
13	H4709C8001	1	1	PUSH BUTTON
14	H3221B0685		1	THREAD TENSION STUD
15	H3221B0683	1	1	THREAD TENSION STUD
16	HA112B0693	2	4	THREAD TENSION DISK
17	H3221B0684	1	2	THREAD TENSION SPRING
18	HA710B0671	1	2	THUMB NUT
19	H3221B0682	2	3	PIN
23	HA310B0702	1	2	THREAD TENSION RELEASING PLATE
24	H4710C8001	1	2	THREAD TENSION SPRING
25	HA115B7010	1	2	THUMB NUT REVOLUTION STOPPER
26	HA310B0701	1	2	THUMB NUT COMPLETE
27	HA310B0705	2	4	THREAD TENSION DISK
28	H3221B6816		1	PIN
29	H3221B0686		1	THREAD TENSION STUD
30	H3221B0686	1	1	THREAD TENSION STUD
31	H32481B721		1	THUMB NUT SM1/4×40
32	H32481B621		1	TAKE-UP SPRING GUIDE
33	H32481BC21		1	SCREW SM9/64×40 L = 6
34	H32481BB21		1	STOPPER
35	H32481B921		1	THREAD TENSION POST
36	H32481B521		2	SCREW SM1/8 (44) L = 3.9
37	H32481B821		1	BUSHING
38	H32481BD21		1	PLATE COMPLETE
39	H4713C8001		1	THREAD TAKE-UP SPRING
40	H32481BE21		1	PLATE
41	H4713C8001	1	1	THREAD TAKE-UP SPRING
42	H32481BD21	1	1	PLATE COMPLETE
43	H4804C8001	1	1	SCREW
44	H4805C8001		1	THREAD TENSION STUD
45	H4805C8001	1	1	THREAD TENSION STUD
46	H3230K0751	1	1	SCREW SM11/64×40 L = 10
47	H3221B6817	1	1	PIN
48	HH604M8001	1	1	TENSION RELEASING PIN
49	H3200B2100	1	1	SCREW SM9/64×40 L = 6.5
50	H3221B6819	1	1	STOPPER



TENSION

NO	PART NO	255RB-3D	399RB-3D	PARTS NAME
1	H6650H8001	2	2	RETAINER
2	H3200K0170	1	1	RETAINER
3	H32311D606	4	4	RETAINER
4	HA300B2130	7	7	SCREW 11/64×40 L=5.5
5	HE606L8001	1	1	BED OIL TUBE CLAMP
6	HE013L8001	1	1	OIL FELT
7	HE014L8001	1	1	SCREW 1/4×32 L=13.0
8	HE016L8001	1	1	OIL FELT
9	HE017L8001	1	1	OIL STOP SCREW 7/16×28
10	HE018L8001	1	1	PACKING
11	HE607L7101	1	1	OIL TUBE AND OIL WICK
12	HE608L7101	1	1	OIL TUBE AND OIL WICK
13	HE610L7101	1	1	OIL TUBE AND OIL WICK
14	HE027L8001	1	1	OIL FELT

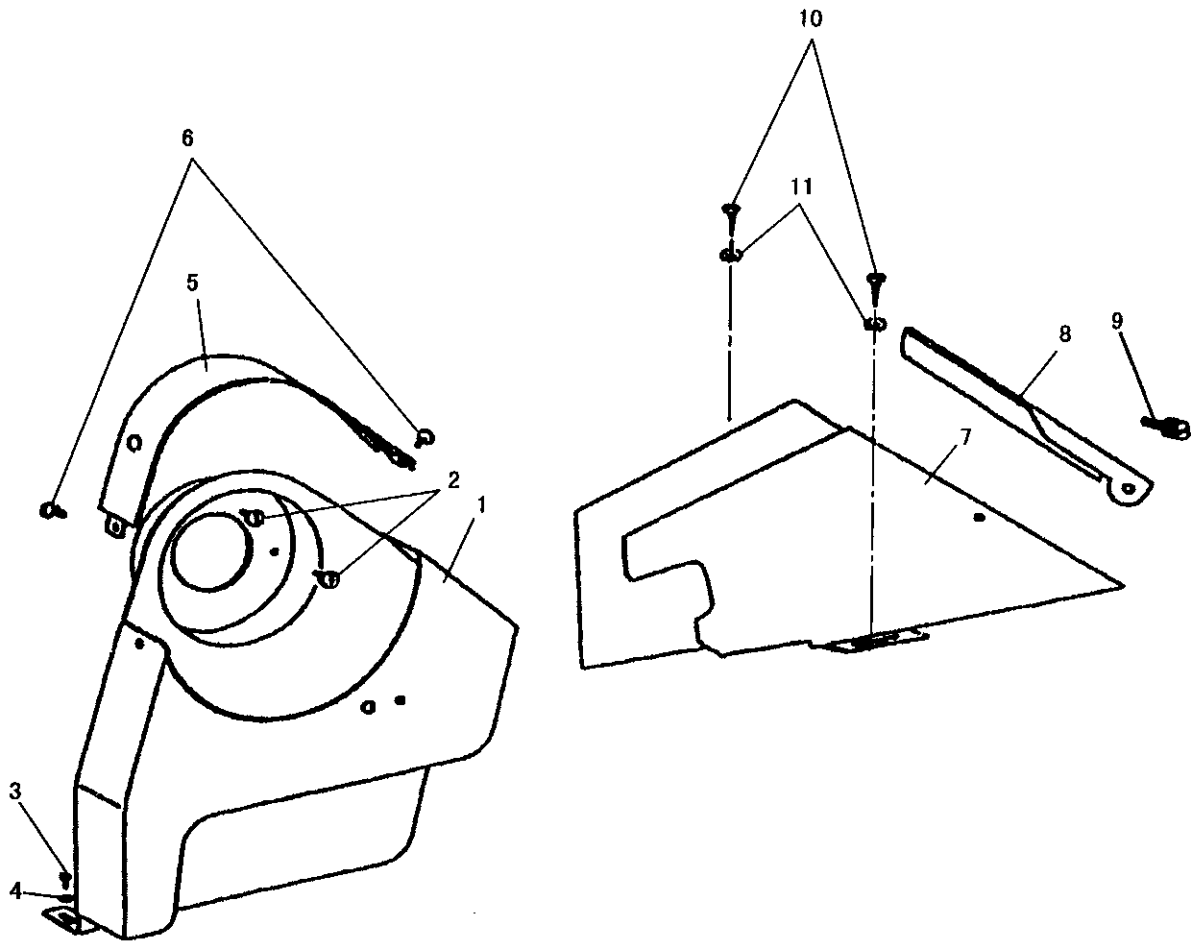
ACCESSORIES AND ATTACHMENTS



From the library of: Diamond Needle Corp

ACCESSORIES AND ATTACHMENTS

NO	PART NO	255RB-3D	339RB-3D	PARTS NAME
1	35254	1	1	THREAD UNWINDER COMPLETE
2	11887	4	4	MACHINE REST
4	6055	4	4	NAIL
5	11886	2	2	MACHIN HINGE CONNECTION CUSHION
6	6055	4	4	NAIL
7	11885	2	2	MACHIN HINGE CONNECTION
8	15080	1	1	DRIP
9	15081	6	6	DRIP PAN NAIL
10	15082	1	1	DRIP PAN DRAIN JAR
11	10735	1	1	KNEE LIFTER COMPLETE
12	6052	3	3	KNEE LIFTER SCREW
13	15101	1	1	BOBBIN WINDER COMPLETE
25	NO122	3	3	NEEDLE
26	15041	4	4	BOBBIN
27	8121	1	1	SCREW DRIVER(SMALL)
28	8120	1	1	SCREW DRIVER(MIDDLE)
29	8118	1	1	SCREW DRIVER(LARGE)
30	10747	1	1	WRENCH
31	11487	1	1	WRENCH
32	11969	1	1	WRENCH
34	8125	1	1	OILER
36	11193	1	1	OIL
37	8132-B	1	1	ACCESSORIES PACK
38	10718	1	1	DOUBLE HEAD WRENCH
39	10730	1	1	CLOTH EDGE GUIDE
40	10731	1	1	SCREW 13/64×32



ACCESSORIES AND ATTACHMENTS

NO	PART NO	255RB-3D	399RB-3D	PARTS NAME
1	15098	1	1	BELT GUARD
2	11162	2	2	SCREW 3.4×36 L=5.4
3	10650	1	1	SCREW 3.4×36 L=6.0
4	11142	1	1	WASHER
5	15099	1	1	BELT GUARD (TOP) COVER
6	12418	2	2	SCREW 13/64×32 L=9.0
7	15121	1	1	BELT GUARD (BOTTOM) COVER
8	15122	1	1	BELT GUARD (BOTTOM) COVER (SMALL)
9	11830	1	1	SCREW 9/64×40
10	15081	2	2	SCREW
11	16287	2	2	WASHER
15	10937-01	1	1	FINGER GUARD
16	10749	1	1	SCREW 3.4×36 L=11.0
17	10677	1	1	WASHER

Consolidated Sewing Machine Corp.

website: www.consew.com

MAIN office

131 W. 25th Street
New York, NY 10001
Tel: 212-741-7788
Fax: 212-741-7787
e-mail: consew@att.net

Miami, FL

4013 N.W. 79th St.
Miami, FL 33166
Tel: 305-471-0200
Fax: 305-471-0243
e-mail: miamisales@consew.com

Los Angeles, CA

2320 South Hill Street
Los Angeles, CA 90017
Tel: 213-745-8844
Fax: 213-745-8855
e-mail: lasales@consew.com

Tokyo, Japan

28-16, Nishi-Shinkoiwa 5-Chome
Katsushika-Ku 124-0025
Tokyo, Japan
Tel: 81-3-5698-1639
Fax: 81-3-5698-1626
e-mail: info@consew.jp